







- Compact joystick switch for industrial purposes
- Thermoplastic sturdy construction
- Action in two or four positions with return
- Screw terminals with retractable clamps
- Long mechanical life
- Round bezel for ø30mm holes

### Circuitries (IEC 60947-5-1)

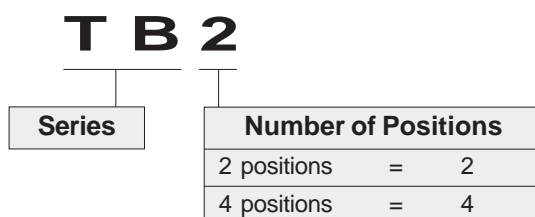
Code	Lever in Repose	Operated Lever
TB2	(2x) 	(1x)  (1x) 
TB4	(4x) 	(1x)  (3x) 



### Specifications

Utilization Category (IEC 60947-5-1)	AC-15	DC-13
Rated Operational Voltage (Ue)	240V	125V
Rated Operational Current (Ie)	3A	0,22A
Rated Thermal Current (Ith)	10A	1A
Rated Insulation Voltage (Ui)	300V	
Contact Resistance	50mΩ maximum initial (in 1A 5Vdc)	
Ambient Temperature	+70°C maximum	
Contact Type	Slow action	
Terminals	Screw terminals with retractable clamp, with insulating protection against electric shocks	
Wiring Cables	0.32mm <sup>2</sup> (22AWG) min. to 3.3 mm <sup>2</sup> (12AWG) max.	
Mechanical Life	500.000 cycles	
Electrical Life	200.000 cycles	
Degree of Protection	IP65 (assembled in panel) (IP40: exposed contac block) (IEC 60529)	
Materials	Enclosure:	Thermoplastic
	Handle:	Thermoplastic
	Lever:	Zinc plated steel
	Terminals:	Copper alloy
	Contacts:	Silver alloy

### Ordering Information

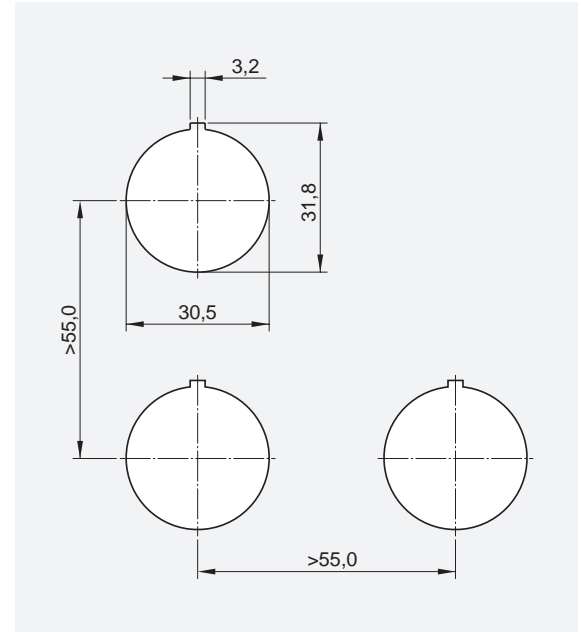
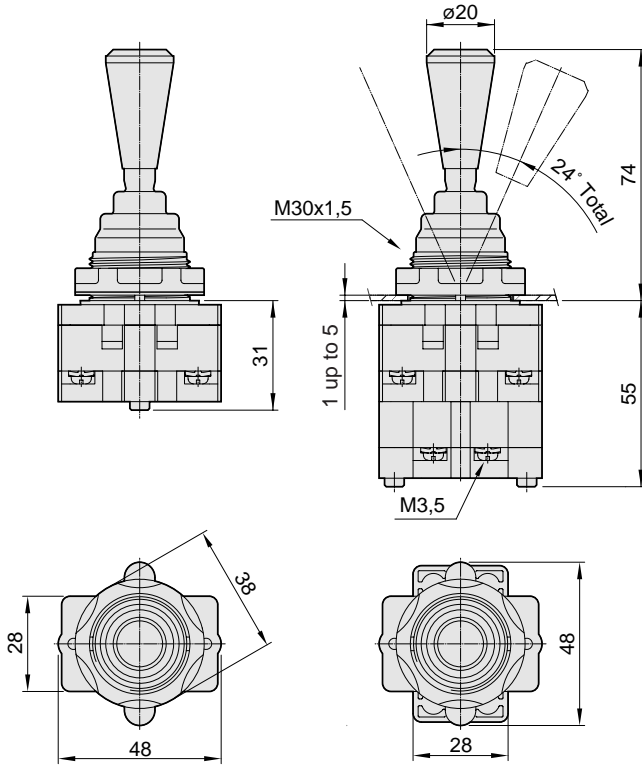


## Dimensions

Dimensions in mm

**TB2 - Two Positions**

**TB4 - Four Positions**



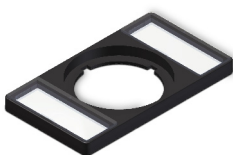
Fixing Dimensions

Subject to change without prior notice

## Panel Assembling

Due to reduced dimensions, the compact joystickswitch TB series, allows quick and easy assembling. The sealing cover goes trough the fixation hole, allowing the electric connection to be done before the assembling on the panel.

## Accessories



TB2 Legend Plates  
**C3AQM2**



TB4 Legend Plates  
**C3AQM4**

