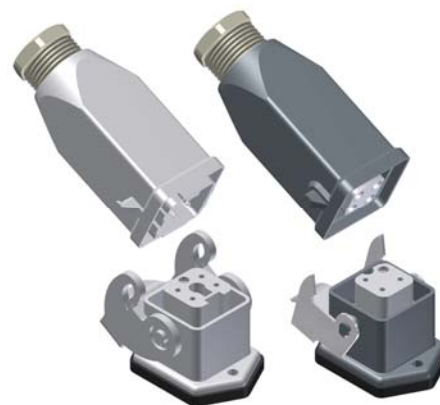


- Industrial connector with 3, 4 or 7 contacts + ground
- Metallic or thermoplastic enclosure with small size
- Enclosure with degree of protection IP44 (IEC 60529)
- Male/female polarized connection
- Silver plated contacts with screw, spring or crimp terminals
- Hood supplied with incorporated cable entry protection
- Foolproof locking lever
- In conformity with Low Voltage Directive 2006/95/EC
- UL recognized component (File E212007 - models CD and CK)



### Specifications

Electrical Ratings	Screw or Crimp Terminal: 10 A 250 V	Spring Terminal: 10 A 400 V
Nº of Contacts	3, 4 or 7 active contacts + 1 ground contact	
Contact Resistance	5 mΩ maximum initial for each contact	
Ambient Temperature	-40 °C...+125 °C	Screw Terminal: -40 °C...+125 °C
	Others models: -40 °C...+125 °C	
Degree of Protection	IP44 (IEC 60529)	
	For complete connector, with cable entry and when mated and locked with the closing levers	
Insulation Resistance	10 GΩ minimum	
Electrical Connection (cables)	Screw Terminal: 0.75...2.5 mm <sup>2</sup>	Spring Terminal: 0.14...2.5 mm <sup>2</sup>
	Crimp terminal: 0.75, 1.0 and 1.5 mm <sup>2</sup>	
Materials	Inserts:	Enclosure: Screw Terminal: Thermoplastic UL 94 V1
		Spring Terminal: Thermoplastic UL 94 V0
		Crimp Terminal: Thermoplastic UL 94 V0
		Contacts: Silver Plated Brass
	Enclosure:	Die Cast Zamak or thermoplastic UL 94 V0
Locking lever::	Zinc plated steel (metallic models) or thermoplastic	
Cable Entry Protection:	Reinforced Thermoplastic. Other options: see <b>ZA</b> catalog	

### Inserts with Contact

Code	<b>PD03M</b>	<b>PD03F</b>	<b>PD04M</b>	<b>PD04F</b>	<b>PD03SM</b>	<b>PD03SF</b>	<b>PD04SM</b>	<b>PD04SF</b>
Insert	Male	Female	Male	Female	Male	Female	Male	Female
Contacts	3 Poles + ground		4 Poles + ground		3 Poles + ground		4 Poles + ground	
Terminal	Screw				Spring			

### Inserts without Contact <sup>①</sup>

Insert				Contact <sup>②</sup>			
Code	Image	Contacts	Type	Code	Cable (mm <sup>2</sup> )	Image	Terminal
<b>PD07CF</b>		7 Poles + Ground	Female	<b>CDFA0.7</b>	0.75		Crimp
				<b>CDFA1.0</b>	1.0		
				<b>CDFA1.5</b>	1.5		
<b>PD07CM</b>			Male	<b>CDMA0.7</b>	0.75		
				<b>CDMA1.0</b>	1.0		
				<b>CDMA1.5</b>	1.5		

<sup>①</sup> Applicable only to plastic enclosures (see page 2).

<sup>②</sup> Supplied separately.

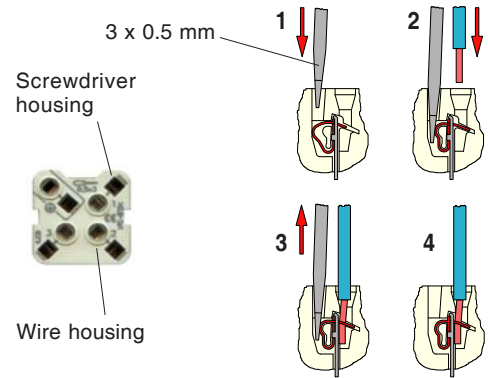


# PD Series

## Connector with 3, 4 or 7 Contacts

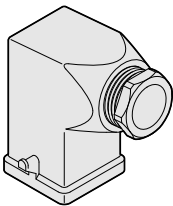
### Inserts - Spring Terminal Connection

- 1 When the screwdriver is inserted in the square housing provided, the wire housing in the spring is opened.
- 2 The wire is pushed all the way in the round housing provided.
- 3 When the screwdriver is removed, the spring is held down on the inserted wire.
- 4 The connection is complete; pull on the wire to make sure that the spring firmly holds down the wire.

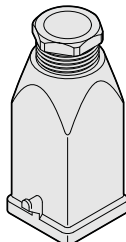


### Enclosure

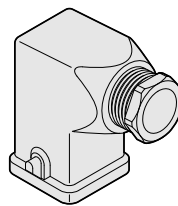
#### Plastic



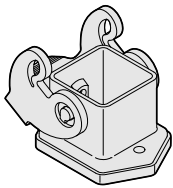
PD03J



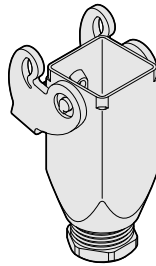
PD03K



PD03L

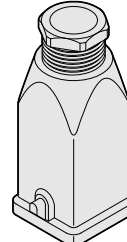


PD03W

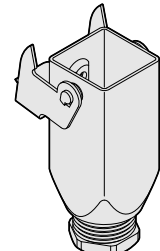


PDT03K

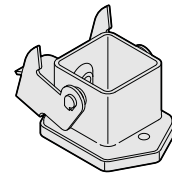
#### Metallic



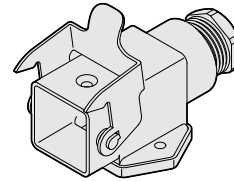
PD03S



PDT03S



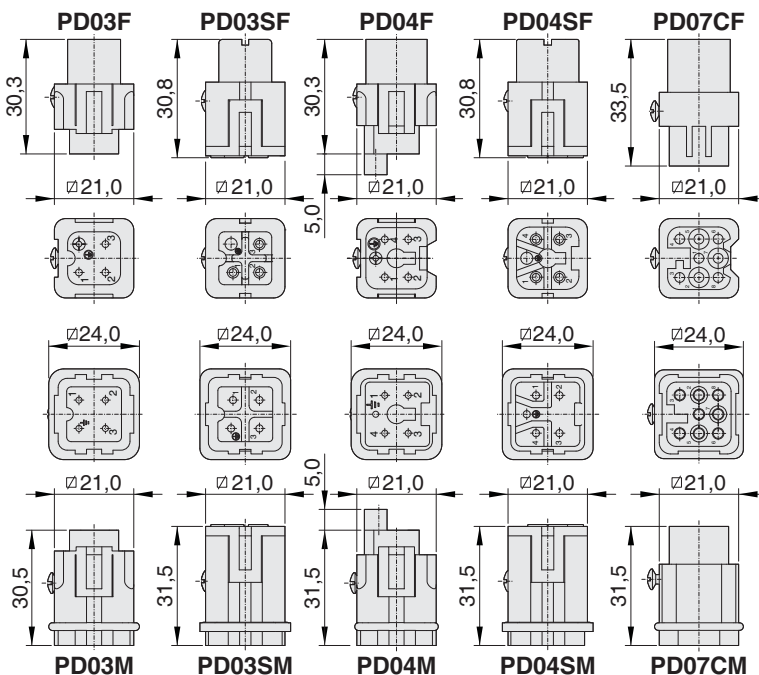
PD03B



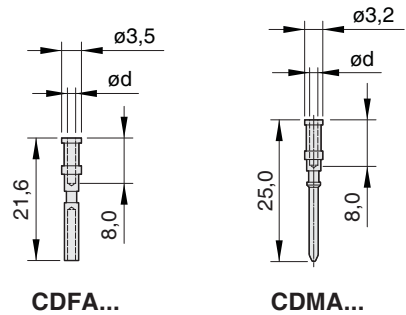
PD03H

### Dimensions - Inserts and Contacts (in mm)

#### Inserts



#### Contacts <sup>①</sup>



Code	CDFA0.7	CDFA1.0	CDFA1.5
	CDMA0.7	CDMA1.0	CDMA1.5
$\varnothing d$	1.3	1.45	1.8

<sup>①</sup> Applicable only to PD07CF and PD07CM inserts (supplied without contact).

Subject to change without prior notice



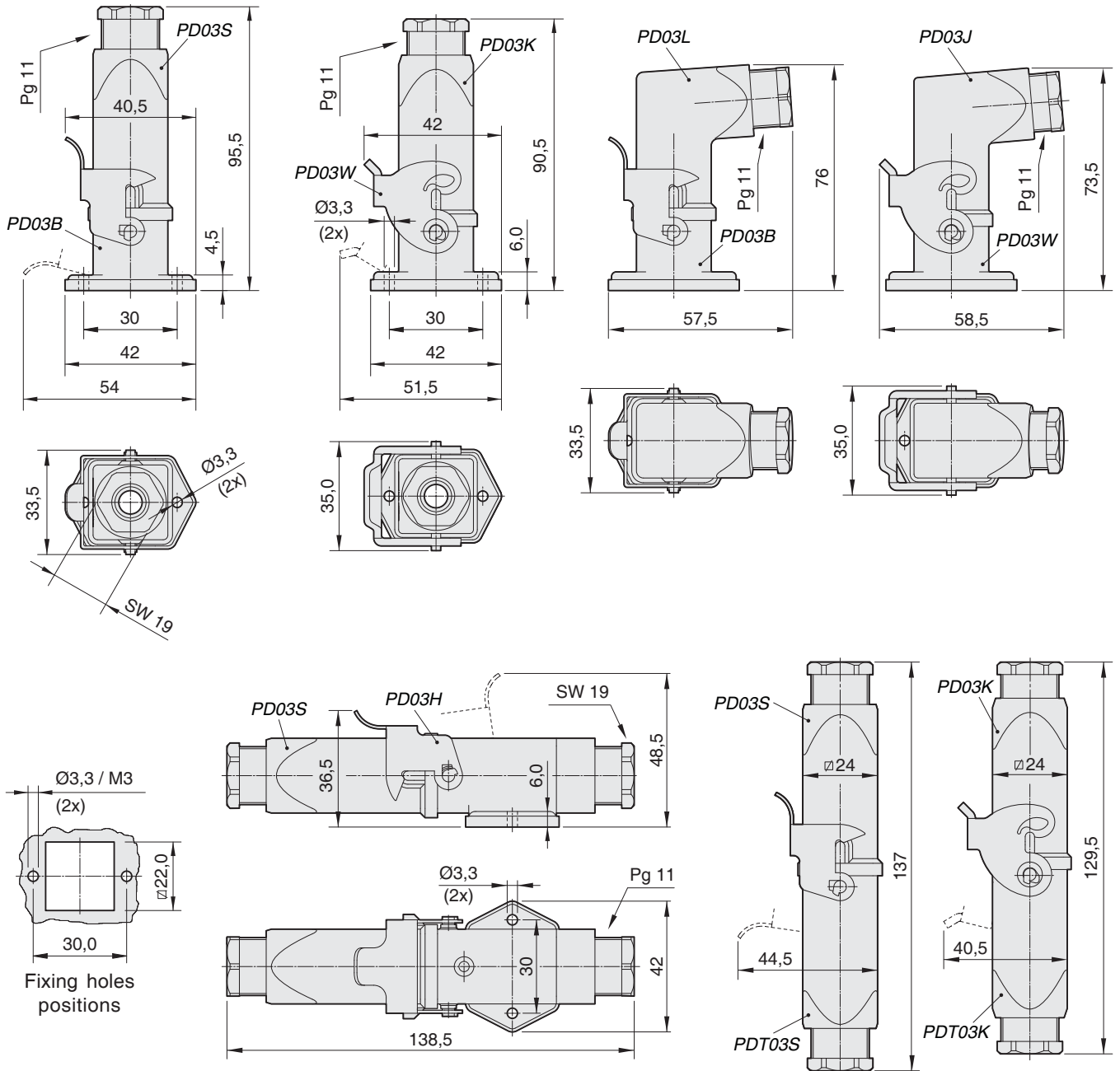
KAP Componentes Elétricos Ltda.



# PD Series

## Connector with 3, 4 or 7 Contacts

### Dimensions - Enclosure (in mm)



Subject to change without prior notice

### Accessories



Cable Glande  
(See ZA Catalog)

### Special Applications

The products presented in this catalog for regular commercial use, however we are able to develop "personalized" models for special applications.

Contact us.



KAP Componentes Elétricos Ltda.