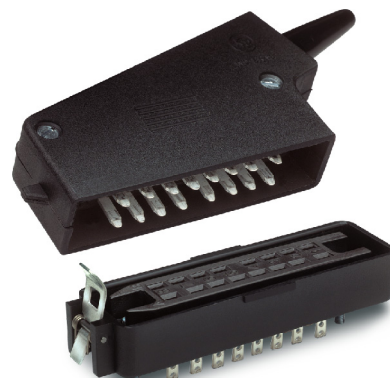


- Multiple connectors for electronic applications
- Choice of 8, 12, 16, 20 and 30 contacts
- Construction according to DIN 41622
- Enclosure and sockets in thermoplastic material
- Male/female polarized connection
- Solder and PCB terminals
- Gold plated contacts for special applications
- Foolproof locking lever



### Specifications

Electrical Rating	10A 250V for each contact	
Nº of Contacts	8, 12, 16, 20 and 30 contacts	
Contact Resistance	5mΩ maximum initial for each contact	
Ambient Temperature	+85°C maximum	
Degree of Protection	IP40 (for complete connector) (IEC 60529)	
Materials	Inserts:	Reinforced Thermoplastic
	Contacts:	Male: Silver Plated Brass
		Female: Silver Plated Bronze
	Enclosure :	Reinforced Thermoplastic
Locking Lever:	Stainless Steel	

Subject to change without prior notice

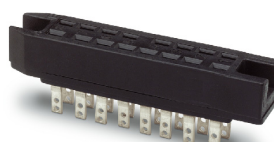
### Available Models



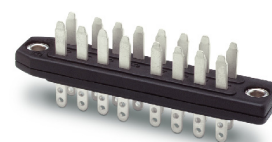
Hood  
Type **PC...L**



Housing  
Type **PC...B**

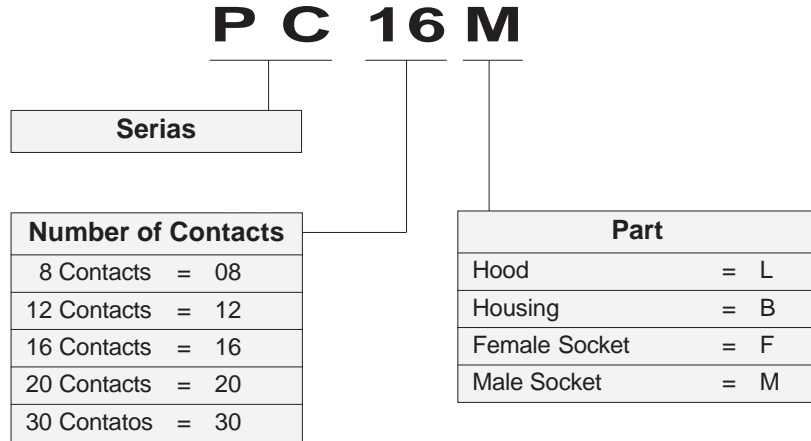


Female Socket  
Tipo **PC...F**

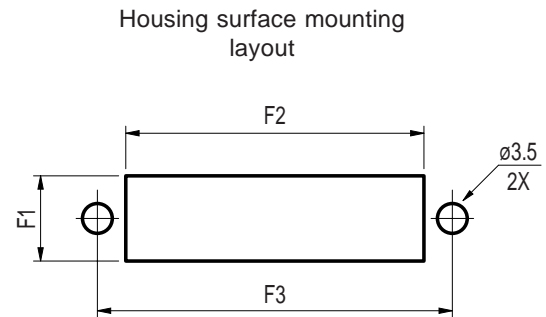
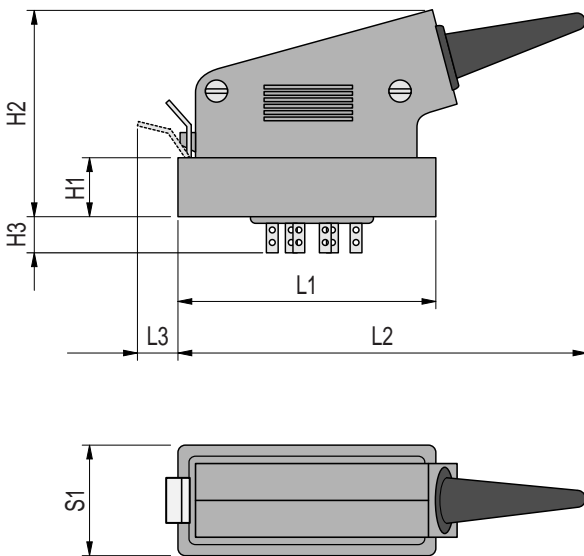


Male Socket  
Tipo **PC...M**

## Ordering Information



## Dimensions



Poles	L1	L2	L3	H1	H2	H3	S1	F1	F2	F3
8	64	100	13.5	14.5	48	11	26	14	32	38
12	76	110	13.5	14.5	52	11	26	14	43	50
16	88	120	13.5	14.5	55	11	26	14	55	62
20	100	135	13.5	14.5	59	11	26	14	68	74
30	100	135	13.5	14.5	70	11	31	18	68	74